

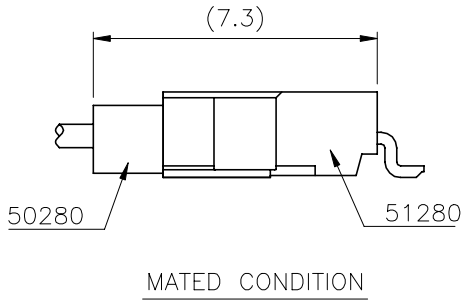
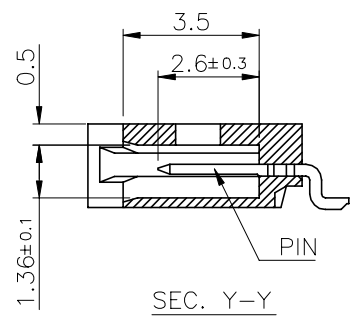
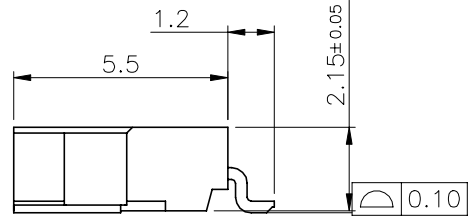
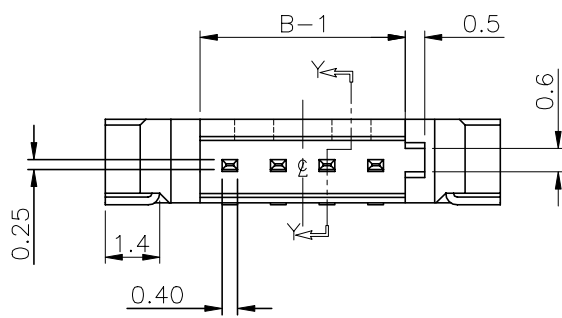
NOTES:

- MATERIAL AND PLATING:
 HOUSING: HALOGEN FREE PLASTIC PLASTICS UL94V-2 OR ABOVE
 TERMINAL: COPPER ALLOY
 50u"~100u" Ni UNDER PLATING
 AU PLATING SEE P/N LEGEND
 FITTING NAIL: COPPOR ALLOY
 50u"~100u" Ni UNDER PLATING
 N: MATTE TIN PLATING.
 1: GOLD FLASH ON PLATED AREA.
- SPEC PLS REFER TO PS-50278-xxxxx-xxx
- PACKAGE PLS REFER TO 50279-XXXCR-XX.

P/N LEGEND
51280-XXXXX-001

NO OF CKT
 PACKING
 0: TAPE REEL
 1: TUBE PACKAGE

PLATING
 1: GOLD FLASH
 D: 30u" GOLD ON CONTACT
 T: 10u" GOLD ON CONTACT
 3: 1u" GOLD ON CONTACT



CKT.	Dim A	Dim B	Dim C	Dim D
2	1.25	3.77	7.65	--
3	2.50	5.02	8.90	--
4	3.75	6.27	10.15	2.50
5	5.00	7.52	11.40	3.75
6	6.25	8.77	12.65	5.00
7	7.50	10.02	13.90	6.25
8	8.75	11.27	15.15	7.50
9	10.00	12.52	16.40	8.75
10	11.25	13.77	17.65	10.00
12	13.75	16.27	20.15	12.50
14	16.25	18.77	22.65	15.00
15	17.50	20.02	23.90	16.25
16	18.75	21.27	25.15	17.50
18	21.25	23.77	27.65	20.00
20	23.75	26.27	30.15	22.50
22	26.25	28.77	32.65	22.50
24	28.75	31.27	35.15	22.50
26	31.25	33.77	37.65	22.50
28	33.75	36.27	40.15	22.50
30	36.25	38.77	42.65	22.50

QUALITY SYMBOLS MAJOR Ⓢ CRITICAL Ⓢ GENERAL TOLERANCES (UNLESS SPECIFIED) X ±0.5 X ±0.25 .XX ±0.15 .XXX ±0.1 ANGLES ±2°	DRAWN BY Rong, Li Ping CHECKED BY Lu, Jing Quan APPROVED BY hsieh, fu yu	DATE 22/12/16 DATE 22/12/16 DATE 22/12/16	 1.25mm WTB WAFER LFP-2. SMT R/A Type
	UNITS mm SCALE 5:1	 SIZE A4 SHEET NO. 1 OF 1	